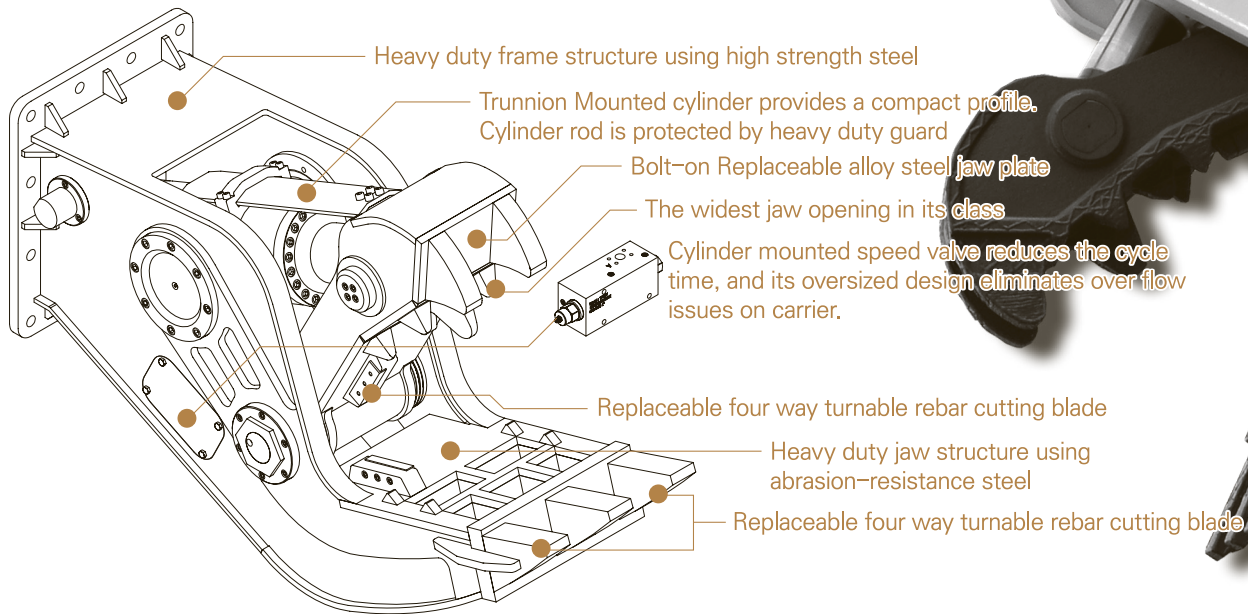


# WP SECONDARY PULVERIZER

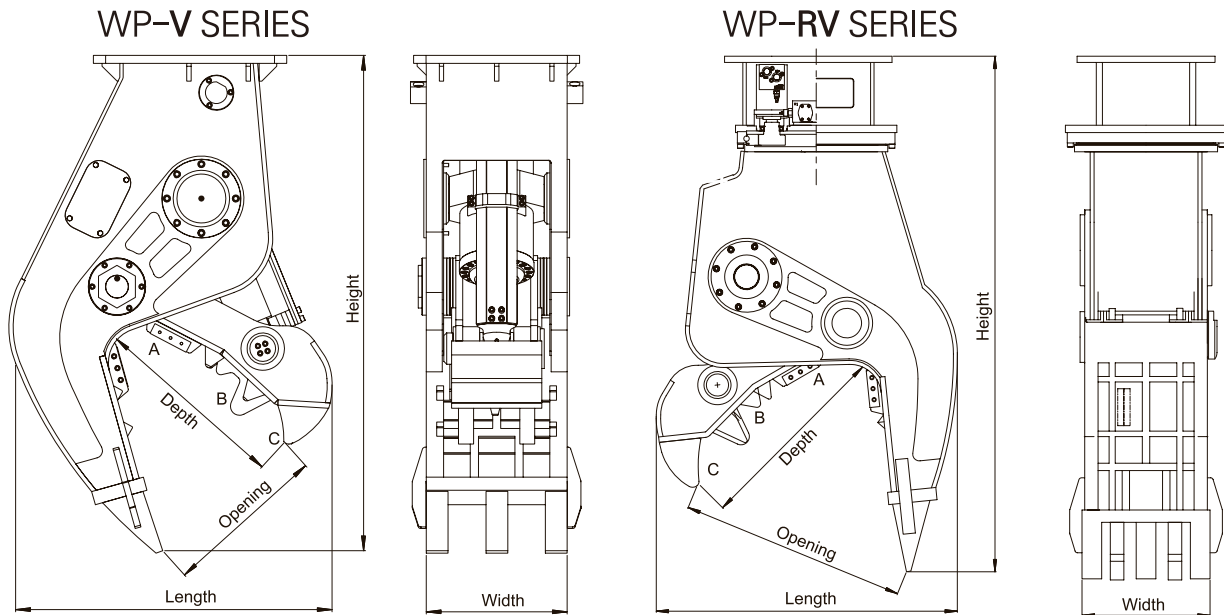
WP series Hydraulic Pulverizers are the perfect tools for secondary demolition and recycling of concrete.  
Single large bore cylinder will maintain its strength through the complete stroke.



The state of the arts **speed up valve** features fast jaw closing and opening speed for higher productivity.  
**The structure** is manufactured from high-strength, abrasion-resistant steel for permanent use.  
RV model with **360 degree hydraulic rotation** increases productivity.



# WP SECONDARY PULVERIZER



Model	Unit	WP 15V	WP 15RV*	WP 20V	WP 20RV*	WP 25V	WP 30V	WP 45V	Unit	WP 15V	WP 15RV*	WP 20V	WP 20RV*	WP 25V	WP 30V	WP 45V	
Carrier Weight	MT	12~17	12~20	18~22	20~30	20~25	25~35	35~48	MT	12~17	12~20	18~22	20~30	20~25	25~35	35~48	
Operating Weight	kg	950	1,150	1,500	1,850	1,950	2,750	4,200	lb	2,090	2,530	3,300	4,070	4,290	6,050	9,240	
Jaw Opening		700	790	850	920	950	1,100	1500		28	31	33	36	37	43	60	
Jaw Depth	mm	820	820	825	865	870	1050	1470	inch	32	32	32	32	34	41	57	
Blade Length		140	140	150	150	200	200	250		6	6	6	6	8	8	10	
Cutting Force [A]		192	192	222	220	258	293	366		423	423	489	489	568	645	805	
Crushing Force	[B] Mid	Metric ton	79	79	100	100	116	123	180	lb (X1000)	174	174	220	220	255	271	396
	[C] Tip		61	61	75	74	86	92	150		134	134	165	165	189	202	330
Rated Pressure	bar	320							psi	4,600							
Rated Oil Flow	lpm	160		230		240	260	380	gpm	42		61		63	84	100	
DIM	Height **	mm							inch								
	Length	1,650	1,850	1,830	2,090	1,960	2,350	2,900	65	73	72	82	77	93	114		
	Width	1,230	1,170	1,250	1,250	1,420	1,620	1,920	48	46	49	49	56	64	76		
Cycle time ***	Open	sec							sec								
	Close(S)	2.1	1.9	2.0	2.0	2.5	2.5	3.7	2.1	1.9	2.0	2.0	2.5	2.5	3.7		
		1.9	1.8	2.1	2.1	2.2	2.3	3.2		1.9	1.8	2.1	2.1	2.2	2.3	3.2	

Specifications subject to change without notice.

\* R model comes with 360degree hydraulic rotation.

\*\* Height : Flat Top Mounting

\*\*\* Cycle time measured at rated flow under no load.

Contact us to check availability of models outside of these ranges